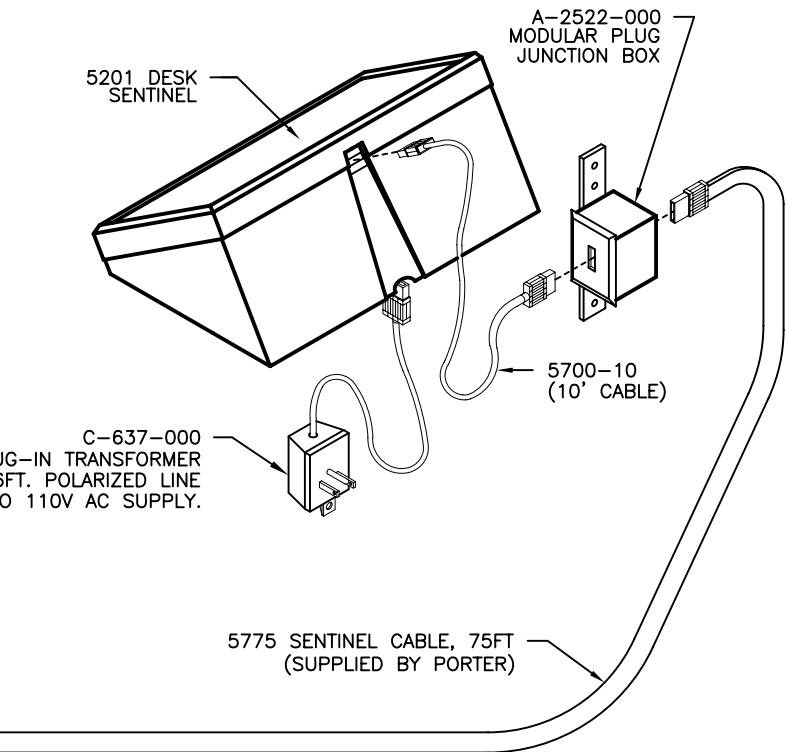
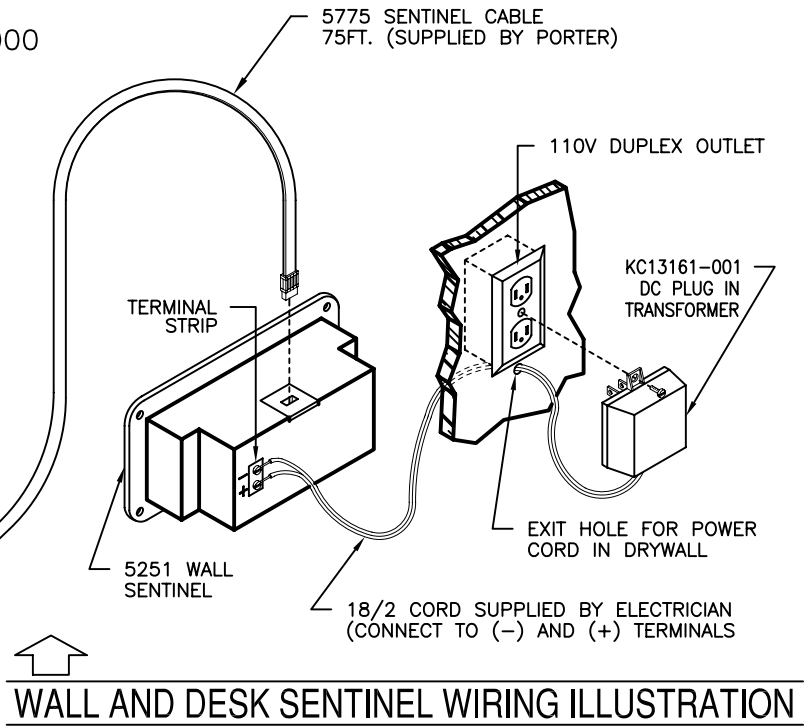
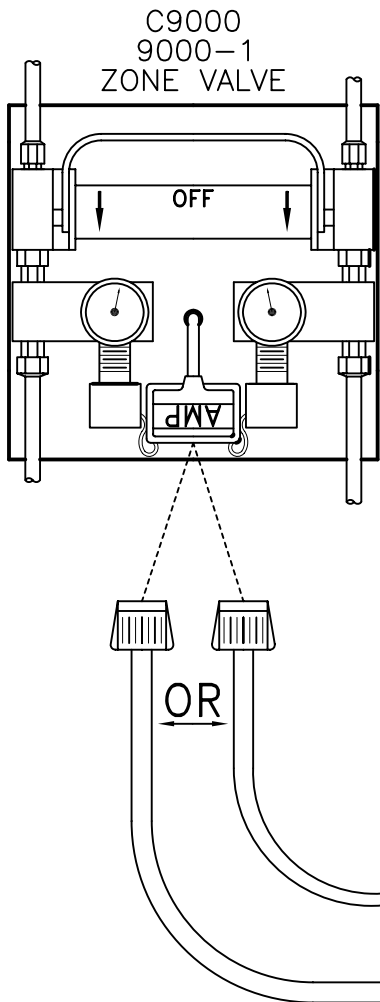


INSTALLATION

1. ZONE VALVE ASSEMBLY 9000-1 OR C9000 IS INSTALLED DOWNSTREAM OF MANIFOLD USING COMPRESSION FITTINGS PROVIDED.
2. PLUG IN MODULAR CABLE(#5775) TO ZONE VALVE AND DESK OR WALL SENTINEL ALARM.
3. FUNCTION TEST SYSTEM BY VARYING PRESSURE AND MONITORING ALARM FOR BOTH N₂O OR O₂ AT HI, NORMAL, AND LOW PRESSURE SIGNAL CONDITIONS.



FM-361
SH 1 OF 1

PROPRIETARY NOTICE
THIS DOCUMENT AND THE DATA DISCLOSED HEREIN IS NOT TO BE REPRODUCED, USED OR DISCLOSED WHOLE OR IN PART TO ANYONE WITHOUT THE PERMISSION OF PORTER INSTRUMENT DIVISION, PARKER HANNIFIN CORPORATION.

REV	EC NO.	DESCRIPTION	NAME	DATE	APPVD
REVISIONS					
					FILENAME: 0035110D
				NUMBER	REV

DATE MAR. 13, 1986 DR. ALE CH. JDD APP. JDD SCALE NONE

Parker Hannifin Corporation
Porter Instrument Division
245 Township Line Rd, PO Box 907
Hatfield, PA 19440-0907, USA

**WIRING DETAILS FOR ZONE VALVE,
MODEL 9000-1 AND C9000**

FM-361
SH 1 OF 1
D

