



Parker Hannifin Corporation
Precision Fluidics Division
Porter Instrument
245 Township Line Road
Hatfield, PA 19440
Office 215-723-4000/Fax 215-723-5106
www.PorterInstrument.com

2 CYLINDER MOBILE CART ASSEMBLY INSTRUCTIONS

Important: In addition to the 2 Cylinder Mobile Cart Assembly Instructions FM-1345, read the 2 Cylinder Mobile Cart User's Manual / Instructions FM-1346 & applicable Nitrous Oxide and Oxygen Delivery System User's Manual, which includes these topics:

- Warnings and Precautions
- Delivery Technique
- Safety Checks
- Maintenance and Troubleshooting
- Proper Use of Cylinders
- Connection to Flow Devices

Examination of Contents

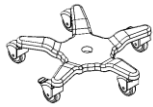


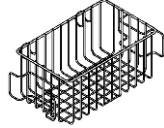
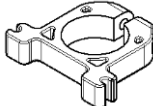
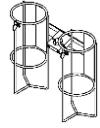


- Examine shipping carton for signs of external damage.
- Remove contents from carton and inspect for visible damage or missing components. See page 2 for complete list.
- If damage is discovered or suspected and/or parts are missing, notify Porter or authorized distributor immediately.



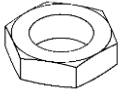


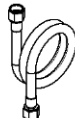




2 Cylinder Mobile Cart shown with Nitronox System. Cylinders not included. Medical Breathing Circuit, Nitronox, & Scavenger System sold separately.

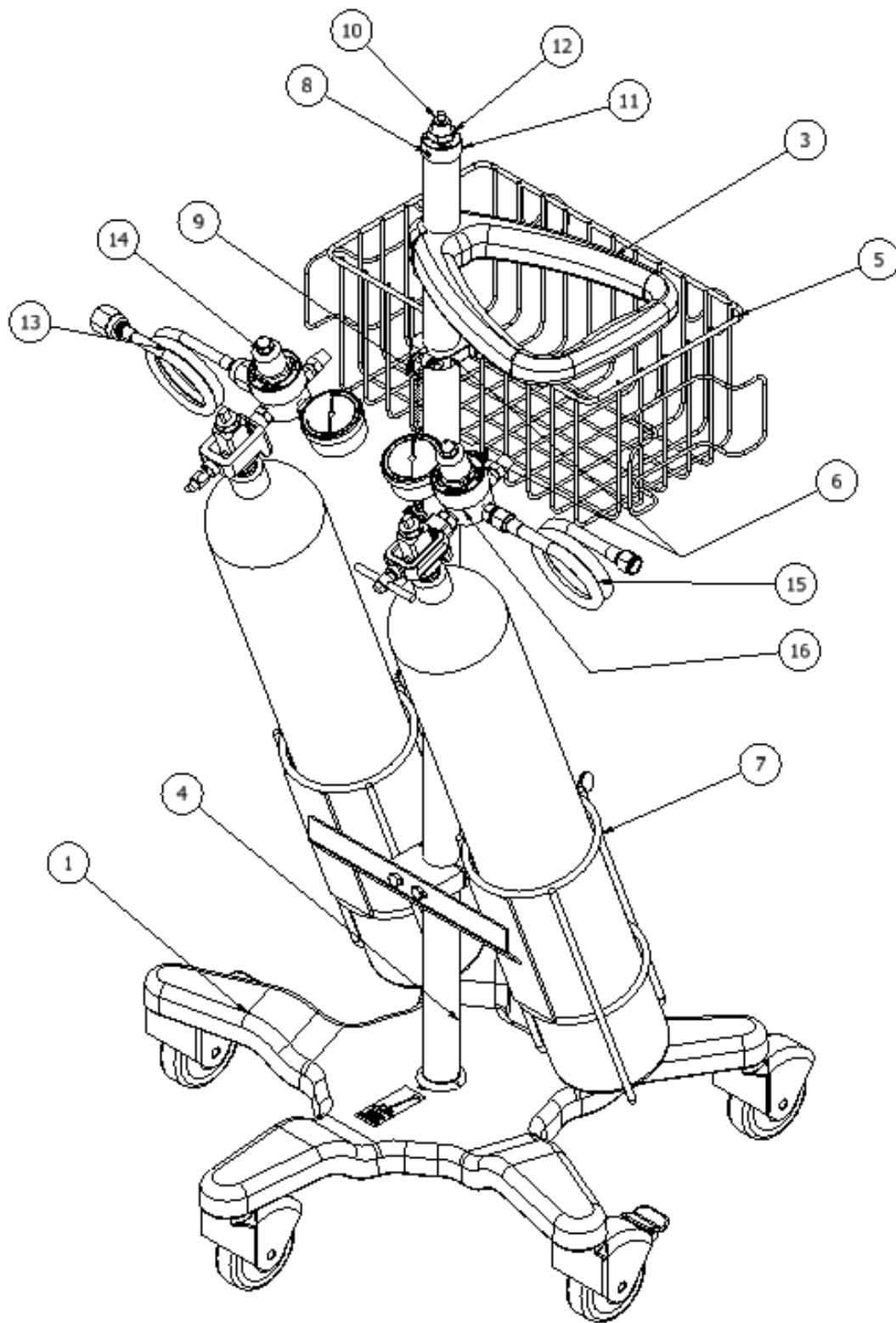
PORTER CUSTOMER SERVICE: 215-723-4000
www.porterinstrument.com

2 CYLINDER MOBILE CART COMPONENTS

Item	Component Description	Qty	Image
1	Wheel Base	1	
2	Pole Hardware Kit *	1	Hex Screw Washer Lock Washer Wrench
3	Handle w/ 2 Screws	1	
4	Pole	1	
5	Basket	1	
6	Basket Clips	2	
7	Cylinder Holder	1	
8	Set Screw	1	
9	Cylinder Wrench w/ Chain	1	

Item	Component Description	Qty	Image
10	Mounting Adapter	1	
11	End Cap w/ 3 Screws	1	
12	Hex Nut Adapter	1	
13	N2O Hose (Blue) (included w/ models 2100-N & 2100-2)	1	
14	N2O Regulator & Nylon Washer (included w/ models 2100-N & 2100-2)	1	
15	O2 Hose (Green**) (included w/ model 2100-2)	1	
16	O2 Regulator & Nylon Washer (included w/ model 2100-2)	1	
17	5/32" Hex Key *	1	

* Items not shown in diagram
 ** Color is white for –ISO model





Warnings

WARNING: Protect against crossed lines at the 2 Cylinder Mobile Cart regulator assembly. Verify gas indexing pin locations, color coding of gauges, seal washer, & orientation of regulator assembly. Follow instructions in Regulator Check page 6.

WARNING: New or modified installations – properly connected gas pipelines (external gas supply) are absolutely essential to patient safety. The ultimate responsibility of assuring that lines are not crossed rests with the user.

WARNING: Always lock casters in place when 2 Cylinder Mobile Cart is not being transported to prevent cart from moving during use or maintenance.

WARNING: Never oil or grease any part of this system (minimize fire or explosion potential).

ASSEMBLY INSTRUCTIONS

Tools Required:

- 1/2" Hex Wrench (Included)
- 5/32" Hex Key (Included)
- Phillips Head Screwdriver (Not Included)
- Tape Measure (Not Included)
- Adjustable Wrench (Not Included)

1. Remove all contents from packaging & verify all components are present & undamaged.
2. Flip the Pole assembly over and attach to the Wheel Base. Align Pole so label is between the two legs on the base with non-locking casters. Use included 1/2" Hex Wrench & Pole Hardware Kit to secure tightly.
Note: Insert screw into lock washer, then flat washer.
3. Lock casters on Wheel Base. On the Cylinder Holder, loosen screws w/ included 5/32" Hex Key to disassemble the block. Position Cylinder Holder against Pole so the top of the block is 9 1/2" from the top of the base (see Fig. 1) and oriented so the screw heads are on the same side as the Pole label. Re-attach block portion that was removed earlier & tighten screws to secure Cylinder Holder to Pole (see Fig. 2).

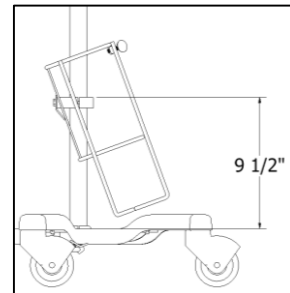


Figure 1



Figure 2

4. Attach the Basket Clips to the open face of the Basket (opposite of the hooks). Position them so they're at the top & bottom edges of the basket (Fig. 3). Loosen screws on Basket Clips & attach Basket to Pole. Position Basket 8" from top of Pole. Align Basket with Cylinder Holder (see Fig. 4) & tighten Basket Clip screws to secure. Connect Cylinder Wrench to one of the Basket Clip holder screws via the key ring (remove Basket Clip screw to attach key ring, then replace after key ring is attached) (See Fig. 3).

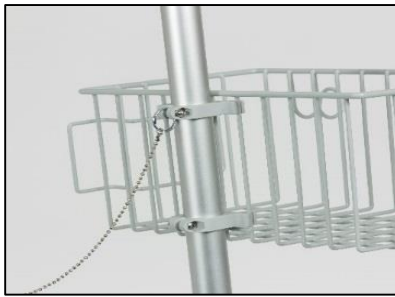


Figure 3



Figure 4

5. Loosen screws on Handle & attach Handle to top end of Pole. Position Handle 3" from top of Pole and facing right of the Basket. Tighten screws on Handle to secure. (See Fig. 5)



Figure 5

6. Align the holes on the End Cap with the holes in the end of the Pole (Fig. 6). Set Screw hole must face Basket side. Secure End Cap using 3 Phillips head screws (start each screw, then fully tighten). Loosely install Set Screw.



Figure 6

7. Insert Mounting Adapter into the top of the pole. Tighten Set Screw to secure Mounting Adapter. (See Fig. 7)
Note: When mounting nitrous oxide and oxygen device, remove Mounting Adapter and attach to device first.



Figure 7



WARNING: Protect against crossed lines at the 2 Cylinder Mobile Cart regulator assembly. Verify gas indexing pin locations, color coding of gauges, seal washer, & orientation of regulator assembly. Follow instructions below.



WARNING: New or modified installations – properly connected gas pipelines (external gas supply) are absolutely essential to patient safety. The ultimate responsibility of assuring that lines are not crossed rests with the user.

REGULATOR CHECK

1. Verify that a single nylon washer was supplied with each regulator, place on yoke above indexing pins. See Figs. 9, 11.
2. Check the color of the regulator gauges to ensure the O2 gauge is green (white for ISO model) & the N2O gauge is blue.
3. Check the indexing pins on each regulator to ensure they're indexed for the correct gases. The pins are indexed to prevent incorrect cross connection of regulators & cylinders.



Fig. 8

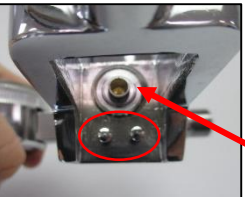


Fig. 9

Washer

O2



Fig. 10



Fig. 11

Washer

N2O

4. Check the “LP” (low pressure) & “HP” (high pressure) label engravings near the fitting connections on the back of the regulators. The “HP” engravings should be in line with the yoke (right for O2; left for N2O) & gauge (top). The “LP” engravings should be in line with the relief valve (left for O2; right for N2O) and the male DISS (bottom). See Figure 12 for O2 configuration & Figure 13 for N2O configuration.

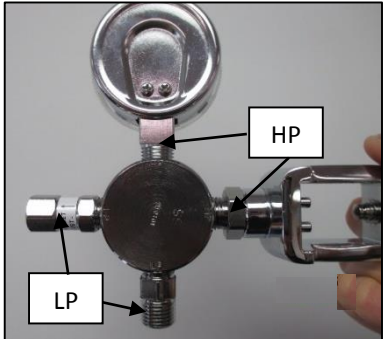


Figure 12 - O2

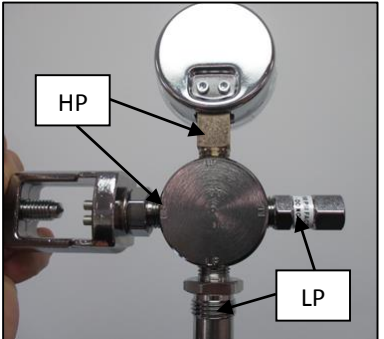


Figure 13 – N2O

DEVICE and CYLINDER INSTALLATION

See 2 Cylinder Mobile Cart User’s Manual (FM-1346) for device & cylinder installation and operating instructions.